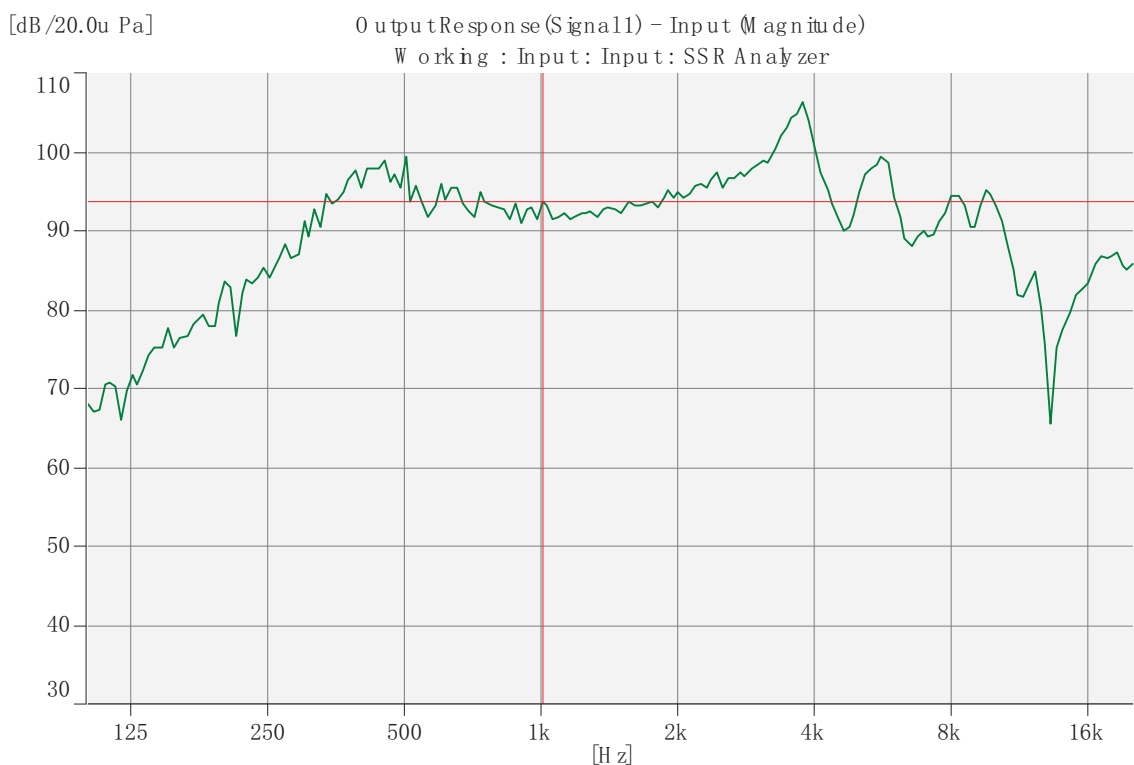
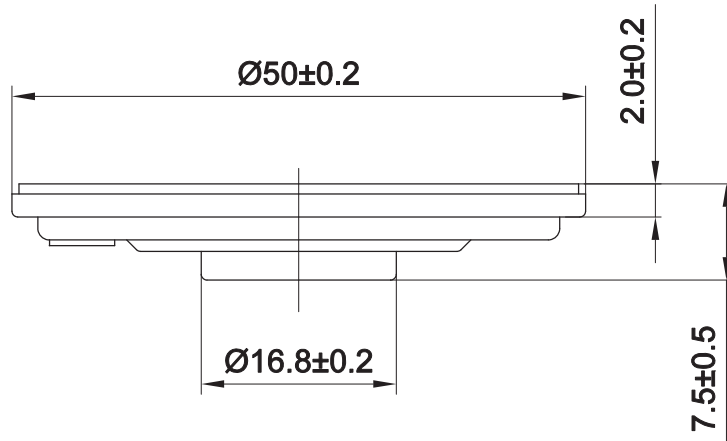
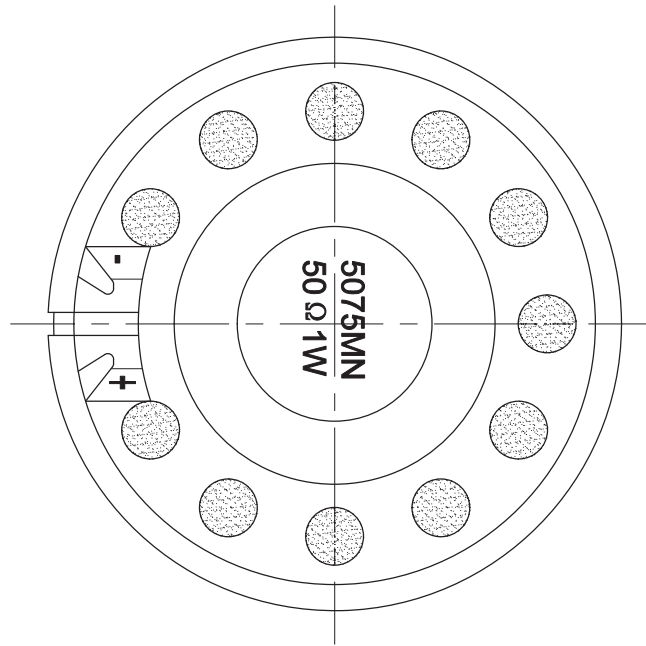


# Speaker Specification 受 控

Customer's Model No.			Customer	QUARTZ	
Kepo Model No.		KPSP5075MN-50/1F	Size	Φ 50mm	No. J23844
No.	Item	Specification	Test Condition		
1	Impedance	50Ω ±15%	at 1.0kHz		
2	Resonant Fr. (f <sub>0</sub> )	500Hz±20%			
3	Frequency Range	F0-5.0KHz			
4	Rated Power	1.0W			
5	Max Power	1.1W			
6	S.P.L.	92±3dB	0.1W / 0.1M at AVG 0.8,1.0,1.2,1.5Khz		
		88±3dB	1W / 0.5M at AVG 0.8,1.0,1.2,1.5Khz		
7	Distortion	Max 5%	at rated power 1.0kHz		
8	Sweep Test	must be normal	at sine wave 5 V		
9	Load Test	after test meet item 8	rated noise power, 24 Hrs.		
10	Heat Test	after test meet item 8	50±2℃ 5Hrs.		
11	Cold Test	after test meet item 8	-20±2℃ 5Hrs.		
12	Humidity Test	after test meet item 8	40±2℃ ,90/95%R.H. 5Hrs.		
13	Weight				
14	Polarity Test	When supplied plus D.C. voltage to (+) terminal, the cone must move to forward.			
15	Note				



# Dimensions:



FIRST ANGLE PROJECTION

UNIT : mm  
Tolerance :  $\pm 0.2$